



Picture may vary from actual product

Power.Gate

The universal multi-talent among parking columns offers comprehensive possibilities for the ticketing sector with the most modern and diverse ticket technology.

Expand your business models;
become part of urban solutions.

Power.Gate will support you at its best!

Marketing Terminal with Ticketing

- **Comprehensive Advertising Opportunities**
Get your equipment financed.
- **Professional Image**
A back-glowing, bright and high-resolution display effectively draws attention to logos, images and promo videos.

Efficiency Increase with Quality

- **Optimized Service Planning**
Great capacities and intelligent systems reduce your service efforts.
- **Elaborated Technology**
Touch-free RFID and barcode technology guarantee the highest level of reliability and low follow-up costs.

Your Business Card

- **High-Quality Design**
High-class materials and glowing features blend elegantly into all types of architecture.
- **Professional Image**
Bi-directional video communication provides your company with a face.
- **Make a Lasting Impression**
Expert-optimized operational guidance for look and sound provide positive user experiences.

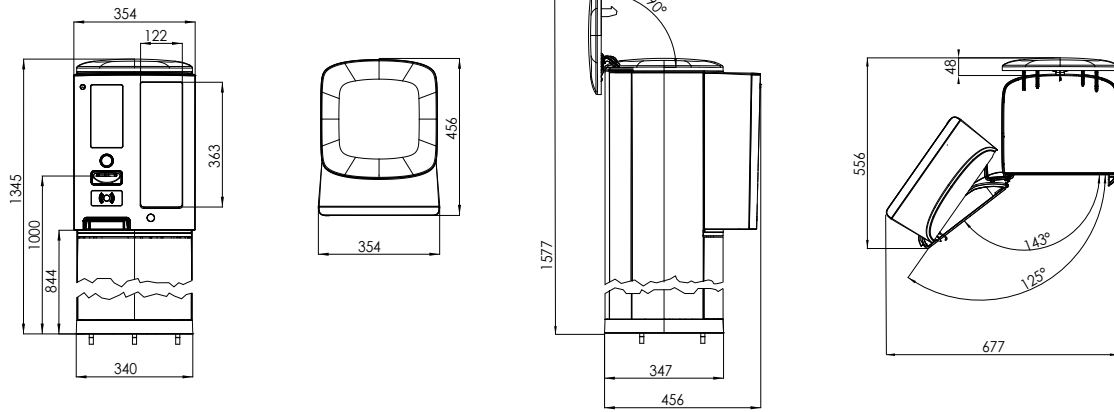
Optimize Your Investment

- **Suitable for Every Budget**
A customized solution for every application.
- **Protect Your Investment**
Future-proof due to flexible options for expansions and installations.
- **Save Money on Your Expenditures**
Smooth investment expansion and renewals thanks to the random miscibility of SKIDATA parking columns.

Save Money and Protect the Environment

- **Minimize Your Power Usage**
Situational energy saving modes and no heating above -20°C (-4°F) stand for a high energy efficiency.
- **Recyclable Materials**
Resource-efficient due to a high degree of reusability.

all dimensions in mm



Features

Design/Construction

- Unique design based on aluminum and high-grade synthetics, complemented by optional, stylish light elements
- Modular, easy to maintain construction
- Flexible extension options ensure maximum investment protection
- Weather-proof, thanks to use of durable high-grade materials, such as aluminum
- Ethernet interface for efficient system integration
- Large installation space for add-on modules (e.g., PIN pad, credit card reader, etc.)

Operation

- Intuitive user interaction helps to ensure very high processing rates

Green Efficiency

- Optimised for low power consumption; without Coder no heating required down to -20 °C (-4 °F)
- Materials provide high degree of re-usability

Options

Design/Construction

- LED light bar serves as a stylish, illuminated eye-catcher
- Housing available in custom colors

Ticket Processing

- Coder Unlimited ensures flexible ticket processing
- Coder Basic enables cross-wise bar code ticket processing and punch-hole validation
- RFID module for reading and encoding 13 MHz keycards

- Double ticket intake (up to 2x7000 tickets, depending on ticket material) with automatic data carrier management
- Large ticket collecting box (holds approx. 3000 tickets)
- Print@Home scanner with special optical array for paper tickets and mobile phones; supports various formats
- Receipt printer for entire credit card solution
- Barcode ticket insert reader for 'classic' ticketing

Communication

- Analog intercom
- Integrated digital intercom (Ethernet)
- Bi-directional (i. e., duplex) video communication (solution includes camera hardware)

Display

- Bright high-resolution graphics display ensures good readability under any light conditions; supports clear, vivid display of commercials and videos (with automatic brightness adjustment); 800 x 480 pixels
- Outdoor capable touch screen for additional Parking Column control functions (can be operated while wearing protective gloves)
- Sophisticated display modes support various applications and design options
- Illuminated control elements
- Visual and acoustic feedback provides additional user support

Accessories

- Locking system with mechanical or electronic locks, supports configurable access permissions
- Various contact and interface extensions to suit a wide range of requirements
- Heater for extremely low ambient temperatures
- AFILS Acoustic support for clear intelligibility

Technical Specifications

Dimensions	354 mm x 1345 mm x 456 mm (B x H x T)
Weight	approx. 30 kg
Operating voltage	100-240 V ±10 % / 50-60 Hz
Coding units	Coder Unlimited or Coder Basic
Operating temperature	-20 °C (-4 °F) to +50 °C (122 °F) (in shade) -20 °C (-4 °F) to +40 °C (104 °F) under sun exposure
Operating temperature with additional heater	down to -30 °C (-22 °F) (mandatory with Coder)
Operating temperature with additional heater big	down to -40 °C (-40 °F)
Max. ambient humidity	90 % (non-condensing)
Support stand color	Brushed, anodized aluminum
Cover color	RAL 7037 Dusty Grey (varnished plastic)
Pedestal base color	RAL 7043 Traffic Grey (powder-coated aluminum die cast)
Panel color	RAL 7021 Black Grey (varnished plastic)
Declarations / Certifications	CE, FCC, IC, _c NRTL _{us}
Degree of protection based on IEC 60529	IP43

SKIDATA AG • Untersbergstraße 40 • A-5083 Grödig/Salzburg
[t] +43 6246 888-0 • [f] +43 6246 888-7 • [e] info@skidata.com [w] www.skidata.com • Version 1.3a • 08.10.2014

©2014 SKIDATA AG. All rights reserved.

The content provided herein is subject to change and possible editorial errors. Country-specific versions may vary. SKIDATA® is a registered trademark of SKIDATA AG in the USA, the European Union and other countries. Terms and conditions of the authorized SKIDATA distributor apply. The operator is fully responsible for compliance with any legal provisions applicable to the operation of the products.